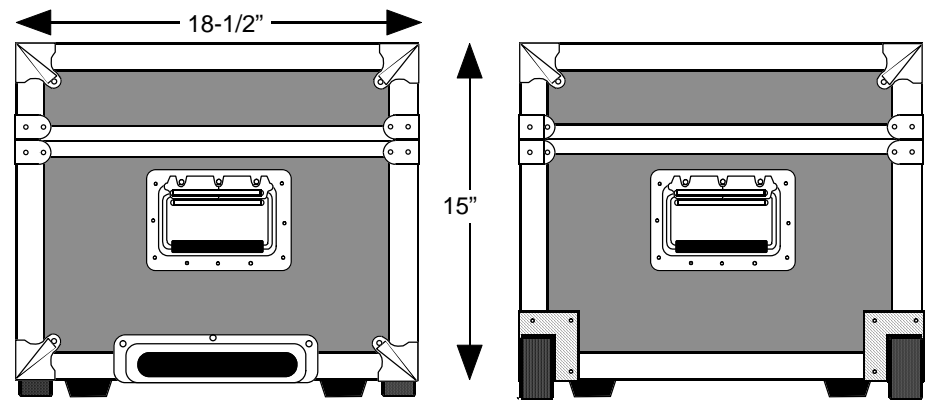
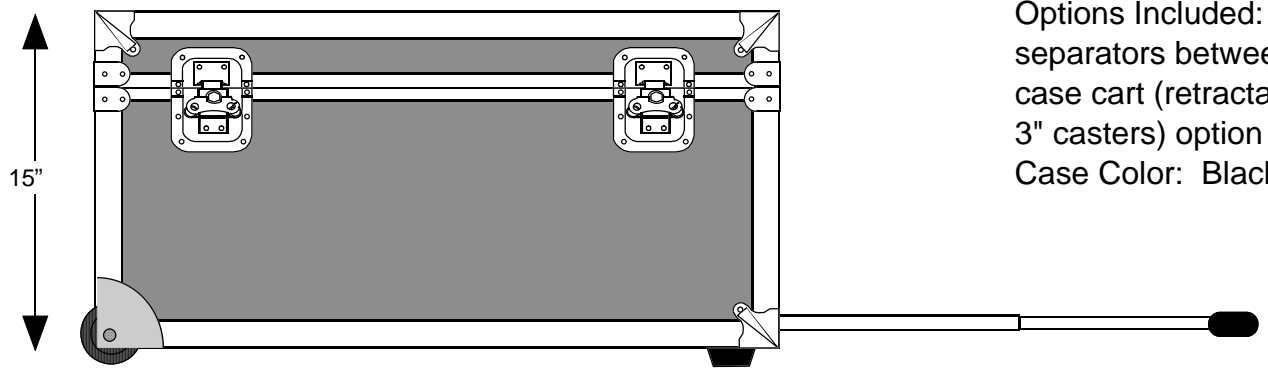
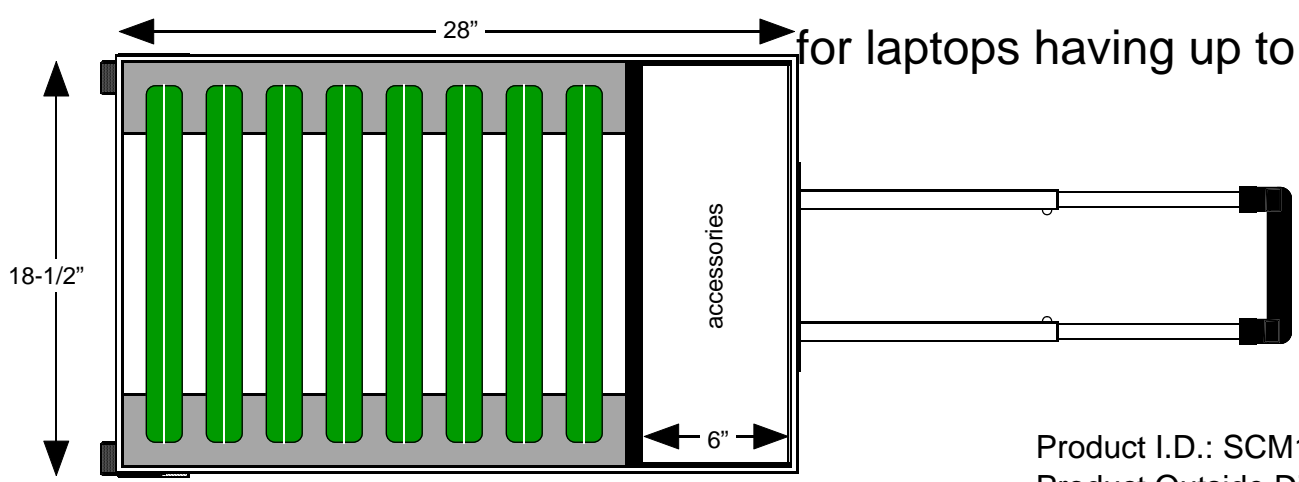




8 in 1 Multiple Laptop Case



Product I.D.: SCM169814
Product Outside Dimensions: 29-1/2"x19-1/2"x16-1/2" (wdh)
Product Inside wall-to-wall Dimensions: 28"x18-1/2"x15" (wdh)
Options Included: Special hi-density foam support blocking as separators between laptops, padlocking recessed twist catch, case cart (retractable telescoping tow handle & recessed 3" casters) option & spacious accessory compartment.
Case Color: Black

