


# INSTALLATION INSTRUCTIONS

## Designer Series Rack Kit Side Panels

**A PAIR OF DESIGNER SERIES SIDE PANELS**

Panels are 20", 24" or 30" deep and vary in height, in 4RU\* increments, from 4RU to 48RU.

\* 1RU (rack unit) = 1-3/4"




**SIDE VIEW OF ASSEMBLED DESIGNER SERIES RACK WITH SIDE PANELS INSTALLED**



A 1/8" channel is built into every extrusion (see Fig. 1) as a feature to secure your particular 1/8" thickness optional side panel(s).


After attaching the vertical extrusion to the Bottom Frame (as shown in the Designer Series rack assembly instructions) simply slide the side panel into both 1/8" channels completely and extend into the channel of the attached Bottom Frame (see Fig. 2).

**EXTRUSION DETAIL** **Fig. 1**



1/8" channels built into every Designer Series extrusion

**Fig. 2**



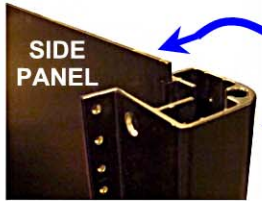
SIDE PANEL

Vertical Extrusion

Bottom Frame

The top of the side panel is now extending a little taller than the vertical extrusions (see Fig. 3). This extended portion of the side panel fits into the adjoining channel of the Top Frame (see Fig. 4). Please note - no screws or fasteners are necessary since side panel is now completely enclosed into all four channels (both vertical extrusions & channels of Top & Bottom Frames as shown in the Designer Series rack assembly instructions). Follow the same procedure for other side panel(s).

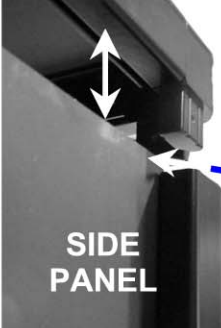
**NOTE: Side panel extends a little taller than the vertical extrusion into which it slides.** **Fig. 3**



SIDE PANEL

Vertical Extrusion

**Fig. 4**



Top Frame

Extended portion of side panel

SIDE PANEL

Vertical Extrusion