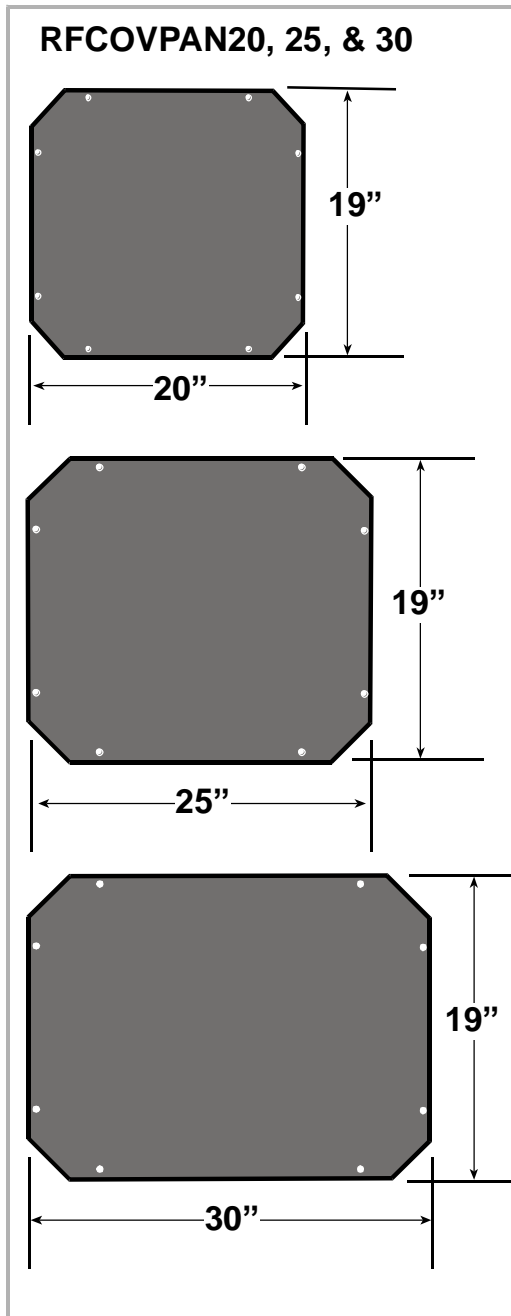


INSTALLATION INSTRUCTIONS --- Rack Cover Panels

Fig. 1



The CoverPanel option for your Rack is available in three different depths; 20", 25" & 30" (see Fig. 1). Selection will depend on the depth of your Rack.

Cover Panels are heavy gauge steel with a flat black powder coating. Cover Panels can be installed either on the top or bottom of your Rack. They serve as both a convenient flat surface for supporting non-rackmountable components as well as for additional reinforcement of the overall Rack structure.

Once you've completed the assembly of your Rack, place your Cover Panel on top of or on the bottom of your finished assembly. (see Fig. 2). Once in place, fasten the Cover Panel with 8 each 10-32 rack screws.

Fig. 2

