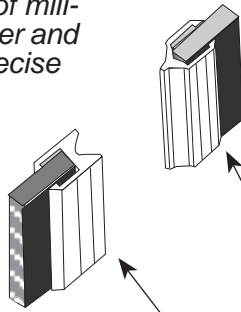


CARRY LIGHT

(surface mount hardware)

STANDARD ON CARRY LIGHT

Tongue & groove valance of mill-finish aluminum makes upper and lower section alignment precise and closure positive

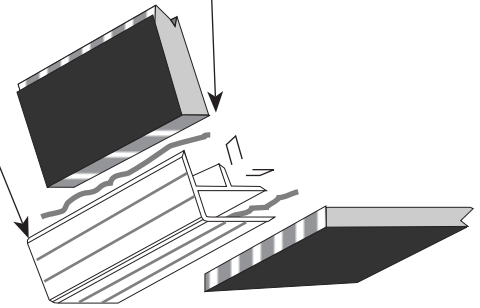


STANDARD ON CARRY LIGHT

Flat black-finish on Star Light gives excellent protection and long lasting durability

STANDARD ON CARRY LIGHT

Inner & outer wall double-walled aluminum angle extrusion provides added skeletal strength to case framework



STANDARD ON CARRY LIGHT

Steel spring-loaded surface-mounted catch assemblies are standard issue on Carry Light

STANDARD ON CARRY LIGHT

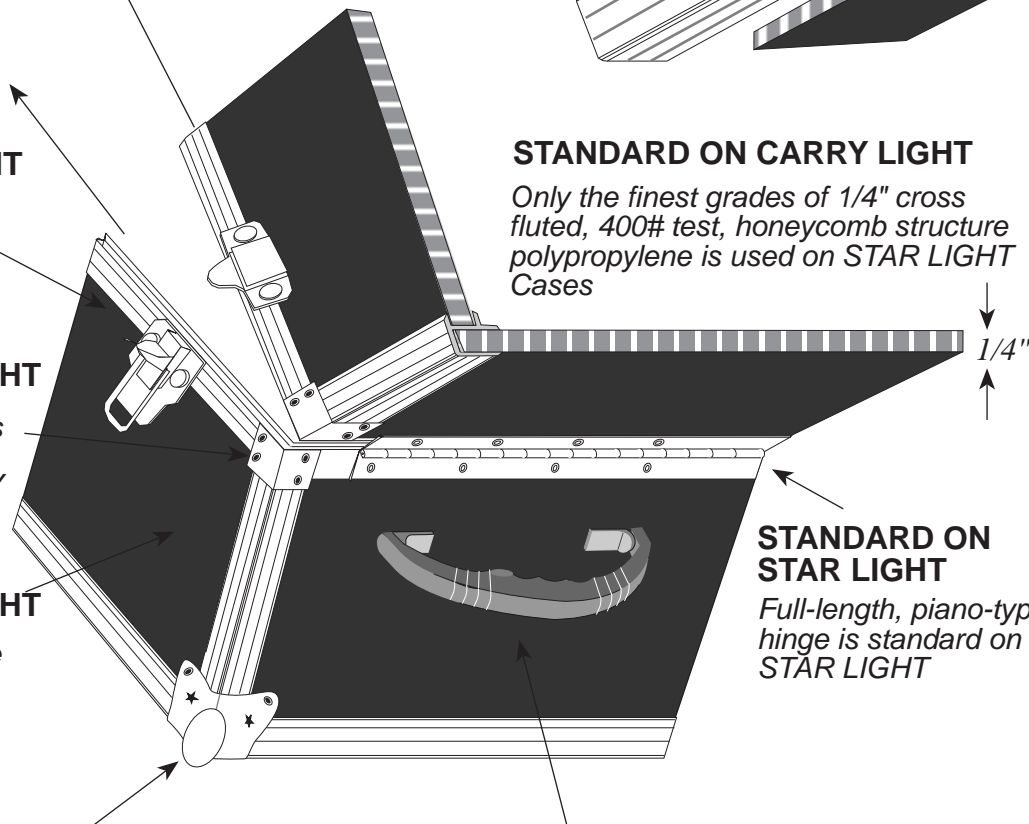
Only the finest grades of 1/4" cross fluted, 400# test, honeycomb structure polypropylene is used on STAR LIGHT Cases

STANDARD ON CARRY LIGHT

Steel construction corner clamps provide excellent support to the critical lid opening on all CARRY LIGHT Cases

STANDARD ON CARRY LIGHT

Honeycomb fluted polypropylene outer wall material is both ultra-lightweight and impervious to almost all chemical compounds



1/4"

STANDARD ON STAR LIGHT

Full-length, piano-type hinge is standard on STAR LIGHT

STANDARD ON CARRY LIGHT

Heavy-gauge steel knuckled ball corners protect all outer corners while elevating case surface a minimum of 1/4" from ground level

STANDARD ON CARRY LIGHT

Comfortable heavy duty handles with large grips are conveniently placed for greatest ease of transport

STAR LIGHT - (surface mount hardware) Recommendations

Recommended Means of Transit	Recommended Applications	For Additional data such as: - Color Choices - Option Choices - Caster Selections Please Consult STAR CASE Contact Us Today!
Carry-on use on: - Air - Rail - Sea - All personal carrying applications.	Components of high weight concentrations such as: - Sales samples - Trades show supplies - Cameras, firearms, radios. - Medical Instruments	