

# The Exhibitor™

**NEVER  
WAIT FOR  
TRADE SHOW  
EMPTIES  
AGAIN!**

Avoid the high cost of convention table and drapery rentals! Save time and improve your trade show image and efficiency! Convert your exhibit space into an office setting! But, most importantly, **NEVER WAIT FOR TRADE SHOW EMPTIES AGAIN!**

Once on site, your reusable STAR CASE Exhibitor rapidly converts into two draped tables, one of which is an efficient organizational center. You may have your own particular design ideas which we encourage you to share with our designers.

Any size you need,  
built to your  
requirements

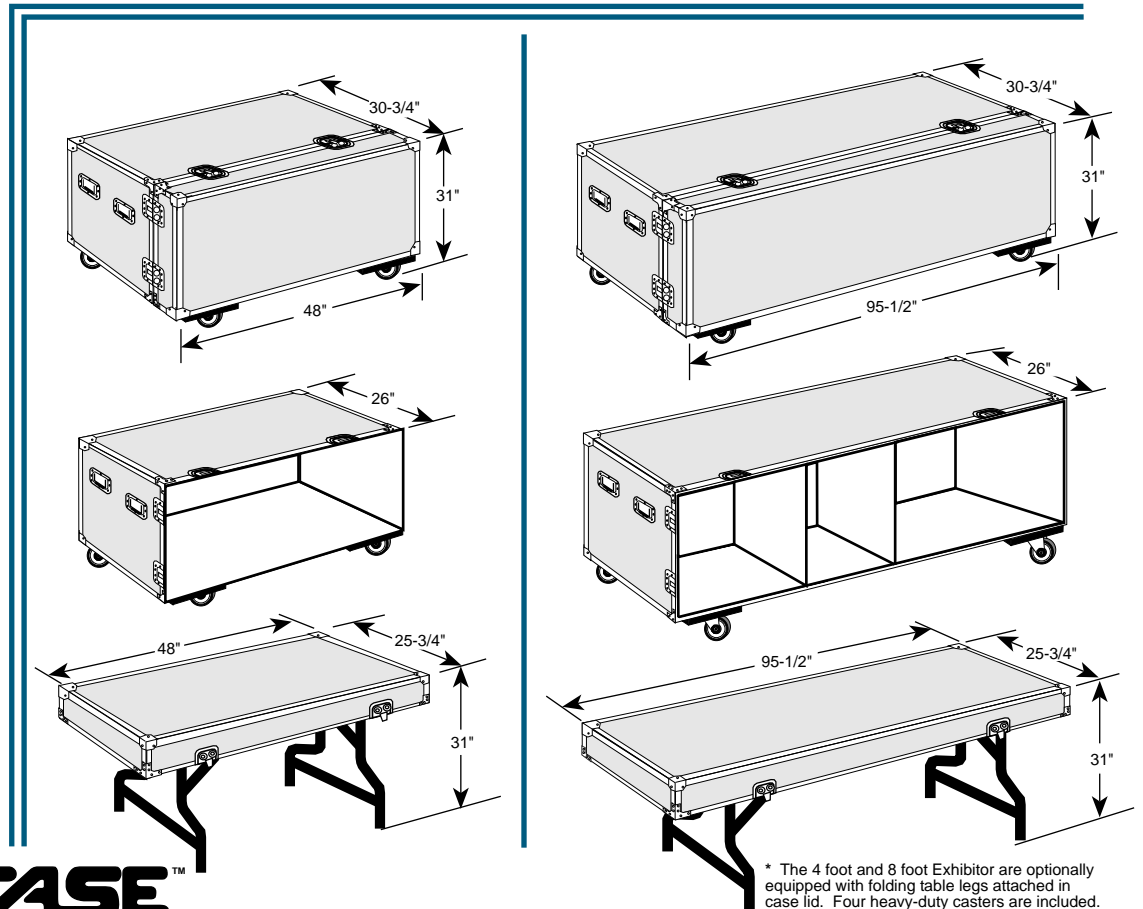
The 2 Most Requested Sizes

The 4 Foot Exhibitor\*

The 8 Foot Exhibitor\*

A Few of The  
Most Requested  
Exhibitor Options

- ★ *Draping Kit in your choice of vibrant colors*
- ★ *Up to 16 stackable literature bin organizers*
- ★ *Foam or carpet lined compartments for computers, AV devices, LCD projectors or graphic panels & murals*
- ★ *EIA Rackmount section*
- ★ *Front & Rear Lids (to add yet a third table)*
- ★ *Precision-cut foam protection*
- ★ *Optional locking devices- Choice of combination, key or padlock hasp*



\* The 4 foot and 8 foot Exhibitor are optionally equipped with folding table legs attached in case lid. Four heavy-duty casters are included.



648 Superior Avenue • Munster, IN 46321

(219)922-4440 FAX (219)922-4442

e-mail: [starcase@starcase.com](mailto:starcase@starcase.com)

(800)822-STAR

(800)782-CASE

web: [www.starcase.com](http://www.starcase.com)