

# STAR CASE CLOSURE "STYLES"

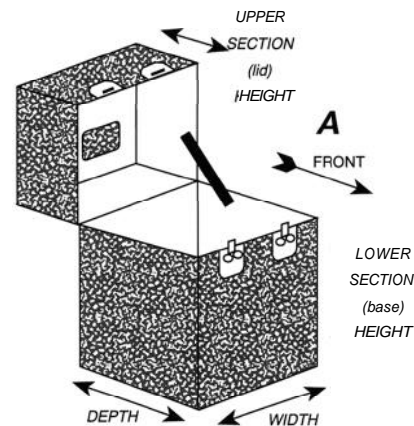
## ★ **STYLE "A" - Hinged lid**

Style A is a case with an upper section (lid) attached to the lower section (base) with a full-length piano hinge. The lid angles back when opened to slightly more than vertical, which avoids accidental closure when loading or unloading.

Webbed strapping is used to support case lid in an upright position when opened. Opposite the full-length piano-hinge is a mechanical catch(s) for securing the case closed while in transit.

A hinged lid Style A case has an upper section (lid) which is generally smaller than its lower section (base). Imagine unloading a briefcase (a typical Style A case) with the larger upper section on top and the smaller lower section on the bottom. The case contents would fall from the case rather than allowing you to extract them.

Style A cases are ideally suited for components that have a handle on top and can be easily loaded and unloaded by one person (items such as electronic instruments, video and audio visual devices, laptop and desktop computers, and other similar size and weight products.)



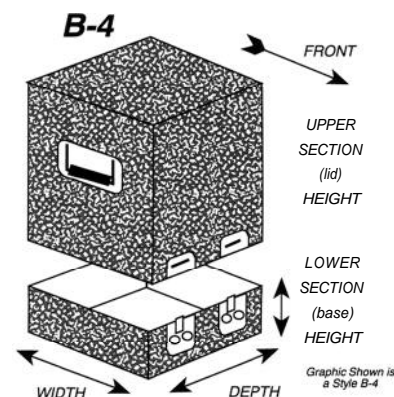
## ★ **STYLE "B-3 & B-4" - Lift-Off Lid, 3 Inch or 4 Inch Base**

Style B cases are divided into two groups; B-3 style with a 3 inch lower section (base) and B-4 style with a 4 inch lower section (base). Instead of a hinged opening, the larger upper section completely removes allowing easy access to your item positioned in the shallow lower section (base).

Imagine a case for a fully loaded 2-drawer filing cabinet. First, its very heavy. Second, it has no top handles. Third, it will take more than one person to remove. Style B-3 or Style B-4 is ideal for such an item for these reasons. Also, it is easier to load and unload due to the shallow base it sits in and because you're lifting the majority of the case over the component and not the component up and into the case.

Sometimes, you'll want the cased component to sit as high as possible in the lower section (base). Style B-3 is best suited for this application. Also, please consider that the average ceiling is 8 feet high. If you have a Style B case for a 4-drawer file cabinet that is about 5 feet high, to remove the upper section (lid) of the case, you'd need a ceiling height of about 10 feet. Be sure to take this into account when considering which style to choose. See style "CS" for an alternative.

NOTE: Style B cases might have lower sections (bases) of varying heights, the minimum height is 3 inches, which is the space necessary, to accommodate heavy-duty hardware fittings. Letter "B" always precedes the lower section (base) height, i.e. B-3, B-4, B-5, etc.



## ★ **STYLE "CS-3 & CS-4" - Clam-Shell, 3 Inch or 4 Inch Base**

Style CS cases are divided into two groups; CS-3 style with a 3 inch lower section (base) and CS-4 style with a 4 inch lower section (base). Style CS cases have a completely removable upper section. However, style CS cases have two removable upper sections that split vertically like a clamshell. This style is for large, heavy-weight items that need more than one person to load and unload.

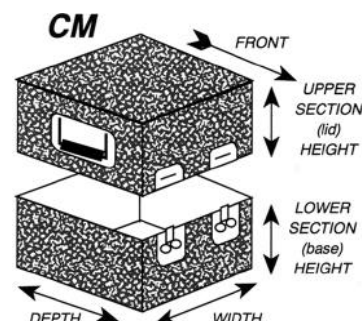
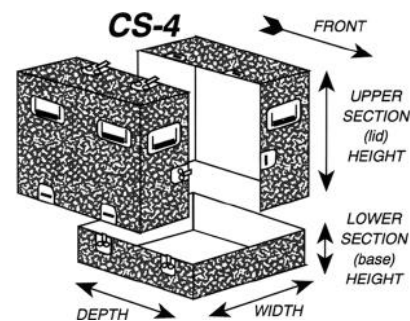
In situations where your cased component height is greater than half the average floor to ceiling height of 8 feet, and you need more than one person to load and unload your case, style CS is ideal. The upper section lid splits in half vertically and may have catches on top, bottom, and sides depending on the size of the load. The upper section split lids remove individually from the lower section (base). Thus, ceiling height is less of a restriction with style CS cases.

Common applications for style CS cases are large video projectors, theatre-type loudspeakers, or large exhibit modules.

## ★ **STYLE "CM" - Removable Lid, Split in Middle**

Style CM splits in the middle of the case height. Instead of a hinged side this style uses mechanical catches for secure closure while in transit. The upper section (lid) is completely removable.

Common applications for a style CM case are for items less than 5 feet in height, light in weight and can be handled by one person, such as a case to hold exhibit modules or upright computer CPU's. Considering the average ceiling height is 8 feet, a Style CM case that has a 6 foot item in it will have an upper section (lid) that is approximately 3 feet high. In this example, you'd need a ceiling height of at least 9 feet minimum to be able to remove the upper section (lid.)



648 Superior Avenue  
Munster, IN 46321 FAX (219)922-4442

**(800)822-STAR**  
**(800)782-CASE**