



648 SUPERIOR AVE.
MUNSTER, IN 46321
(800)822-7827
STAR@STARCASE.COM

STAR RACK CASE STYLES

Style F1 (non-shockmount-dual removable lids)

Style F2 (single lift-off lid)

Style F3 single (lift-off lid-special rack shell)

Style F4 (shockmount rack-dual lids)

Style F5 (single lift-off lid-special rack shell)

Style F6 (single lift-off lid-special rack shell)

Style F8 (shockmount rack w/isolators-dual lids)

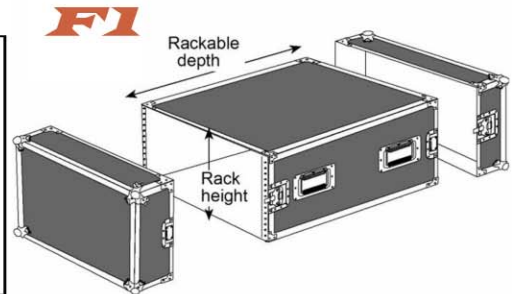
Style F0 (rack shell only-no lids)

Style F1 EIA rack mountable component cases have removable front & rear lids. There is no foam isolation between the rack rail mounted components and the outside world. Each lid is attached with twist catches, one or two per side depending on the rack mount component case interior height.

For Additional data such as:

- Case Construction Types
- Option Choices
- Rack Rail Types
- Case Color

Please Consult STAR CASE
Contact Us Today!
(800)822-STAR (7827)

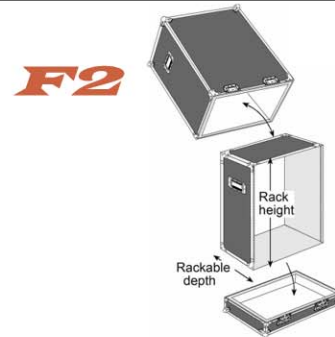


Style F2 EIA rack cases have a removable inner rack shell inside a B4 style (removable clamp-on lid) case. The outer case is minimally 1" foam lined to provide protection for the inner rack shell & components. The inner rack shell has a minimum of two recessed spring-loaded handles (equal numbers per side).

For Additional data such as:

- Case Construction Types
- Option Choices
- Rack Rail Types
- Case Color

Please Consult STAR CASE
Contact Us Today!
(800)822-STAR (7827)

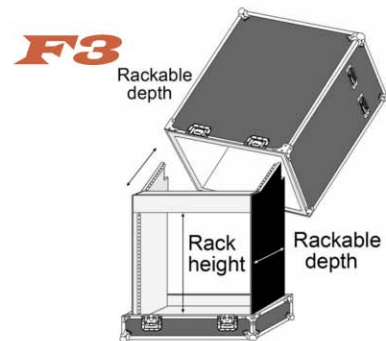


Style F3 EIA rack mountable component cases incorporate a removable inner rack shell with both vertical and horizontal rack space housed inside a B4 style (removable clamp-on lid) case. This case is much like our F5 rack style however you have the added convenience of a removable, functioning, inner rack shell.

For Additional data such as:

- Case Construction Types
- Option Choices
- Rack Rail Types
- Case Color

Please Consult STAR CASE
Contact Us Today!
(800)822-STAR (7827)

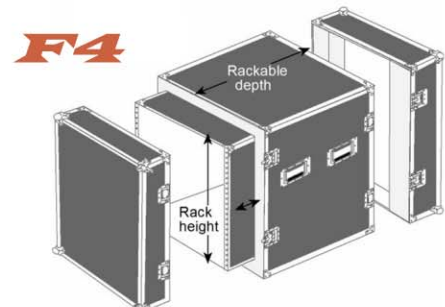


Style F4 EIA rack mountable component cases have a finished case construction inner rack shell enclosed within a 2" foam lined, front and rear removable lid outer case. This style is used when easy access is needed to the front and rear of the EIA rack mountable components as well as component shock isolation.

For Additional data such as:

- Case Construction Types
- Option Choices
- Rack Rail Types
- Case Color

Please Consult STAR CASE
Contact Us Today!
(800)822-STAR (7827)



Style F5 EIA rack mountable component cases incorporate a removable front lid and top lid. There is angled horizontal rack space in the upper section and vertical rack space in the lower rack section. A trap door is provided in the rear case panel surface for accessing cables and components. A comfortable leatherette covered hand pad is provided in front of angled rack space.

For Additional data such as:
 - Case Construction Types
 - Option Choices
 - Rack Rail Types
 - Case Color

**Please Consult STAR CASE
 Contact Us Today!
 (800)822-STAR (7827)**



Style F6 EIA rack mountable component cases incorporate a hinged front lid and removable top lid. There is a horizontal platform for mixer, editing consle, etc. in the upper section and vertical rack space in the lower rack section. A trap door is provided in the rear case panel surface for accessing cables and components.

For Additional data such as:
 - Case Construction Types
 - Option Choices
 - Rack Rail Types
 - Case Color

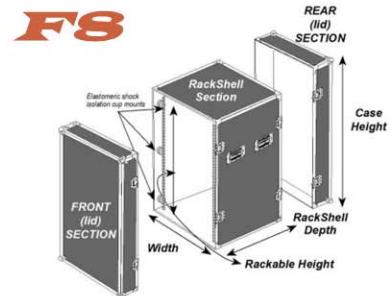
**Please Consult STAR CASE
 Contact Us Today!
 (800)822-STAR (7827)**



Style F8 EIA rack mountable component cases have elastomeric shock isolation devices mounting to both front and rear rack rails for superlative shock protection. Number of elastomeric shock isolators are dependant upon total weight being mounted in rack. F8 style cases have removable front & rear lids.

For Additional data such as:
 - Case Construction Types
 - Option Choices
 - Rack Rail Types
 - Case Color

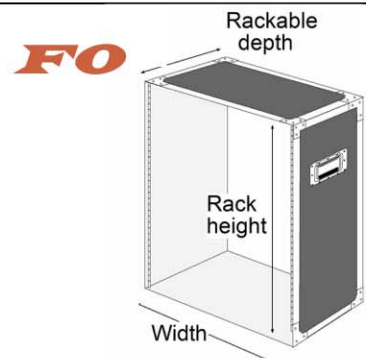
**Please Consult STAR CASE
 Contact Us Today!
 (800)822-STAR (7827)**



Style F0 EIA rack mountable component cases are rack shells only. They have no front or rear lids and are not intended for shipping without an outer case around them for protection. Recessed, spring-loaded handles are provided on both sides of the rack shell. Rubber feet are mounted to the bottom of the rack shell.

For Additional data such as:
 - Case Construction Types
 - Option Choices
 - Rack Rail Types
 - Case Color

**Please Consult STAR CASE
 Contact Us Today!
 (800)822-STAR (7827)**



RACK CASE STYLE IS OF PARAMOUNT IMPORTANCE!!!

At Star Case, we're on your side. We want you back. We want your referral. We'll recommend the right rack case style for your application - whether it's a shockmount style F4 case, a removable lift-off lid style F2 rack, or a simple 4-sided rack shell only - you'll be happy every time - our product knowledge and experience allow us to make this claim!

Star Case Mfg. Co., LLC- the leader in custom & Quick Ship cases and Racks since 1975 and exclusive source for "Professional Series" and "Designer Series" Electronic Racks, Rack Options & Accessories