



648 SUPERIOR AVE.  
MUNSTER, IN 46321  
(800)822-7827  
STAR@STARCASE.COM

# STAR CASE STYLES

**Style A (hinged lid)**

**Style B (shallow tray lift-off lid)**

**Style CM (mid split - lift-off lid)**

**Style CS (clamshell - 2 part lid)**

**Style D (shallow removable lid)**

**Style E3 (removable front lid)**

**Style E4 (hinged front lid)**

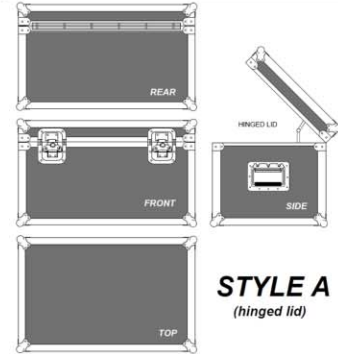
**Style FF (removable front & rear lid)**

Style A cases have a shallow hinged lid and are ideally suited for items of moderate weight that can be easily lifted into and out of a deeper lower case section.

For Additional data such as:

- Case Type
- Option Choices
- Interior Treatments
- Case Color

Please Consult STAR CASE  
Contact Us Today!  
(800)822-STAR (7827)



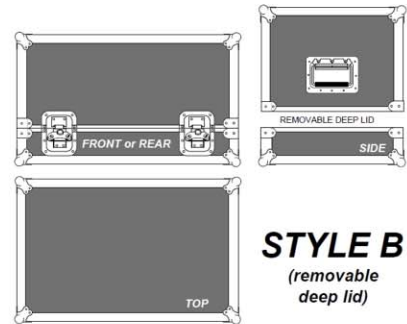
**STYLE A**  
(hinged lid)

Style B cases have a pull-over clamp-on lid design. Your equipment is placed in a shallow lower case section (tray) and the upper case section (lid) is slipped over the top.

For Additional data such as:

- Case Type
- Option Choices
- Interior Treatments
- Case Color

Please Consult STAR CASE  
Contact Us Today!  
(800)822-STAR (7827)



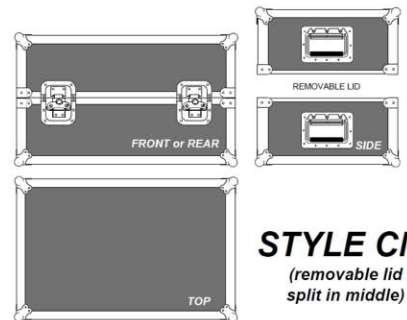
**STYLE B**  
(removable deep lid)

Style CM cases have a single piece removable lid that is equal in height to the upper lid section. This greatly facilitates ease of loading and unloading case contents.

For Additional data such as:

- Case Type
- Option Choices
- Interior Treatments
- Case Color

Please Consult STAR CASE  
Contact Us Today!  
(800)822-STAR (7827)



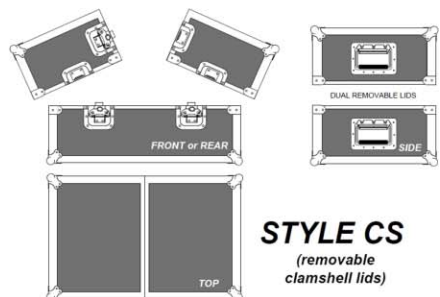
**STYLE CM**  
(removable lid split in middle)

Style CS cases (clamshell) have a two part lid design. Your equipment is placed in a tray with an evenly split lid. Each lid half loads onto case lower section from the top or from the side.

For Additional data such as:

- Case Type
- Option Choices
- Interior Treatments
- Case Color

Please Consult STAR CASE  
Contact Us Today!  
(800)822-STAR (7827)

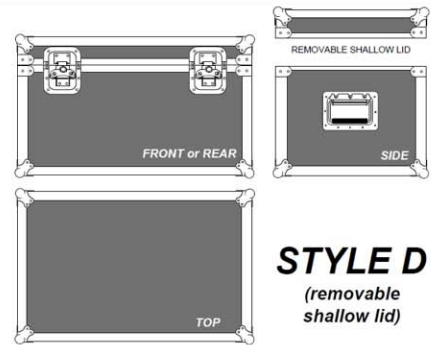


**STYLE CS**  
(removable clamshell lids)

Style D cases have a fully removable 3" height lid. This style is essentially identical to our Style A case except the lid has no hinge and is removable.

For Additional data such as:  
 - Case Type  
 - Option Choices  
 - Interior Treatments  
 - Case Color

Please Consult STAR CASE  
 Contact Us Today!  
 (800)822-STAR (7827)

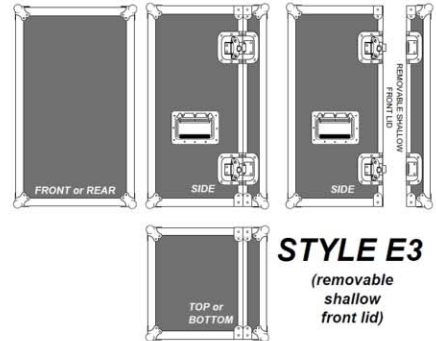


**STYLE D**  
 (removable shallow lid)

Style E3 cases have a removable front lid. Applications are heavier weight items or combinations of components that need front loading or access.

For Additional data such as:  
 - Case Type  
 - Option Choices  
 - Interior Treatments  
 - Case Color

Please Consult STAR CASE  
 Contact Us Today!  
 (800)822-STAR (7827)

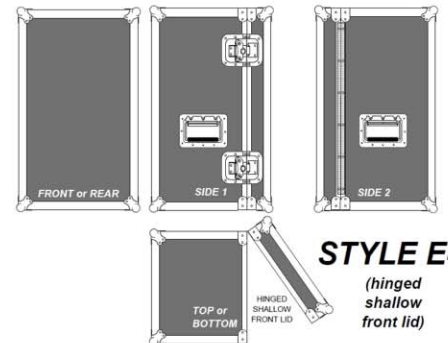


**STYLE E3**  
 (removable shallow front lid)

E4 style cases have a hinged front lid. Hinging is typically on the left side of the case. Applications are heavier weight items or combinations of components that need front loading or access.

For Additional data such as:  
 - Case Type  
 - Option Choices  
 - Interior Treatments  
 - Case Color

Please Consult STAR CASE  
 Contact Us Today!  
 (800)822-STAR (7827)

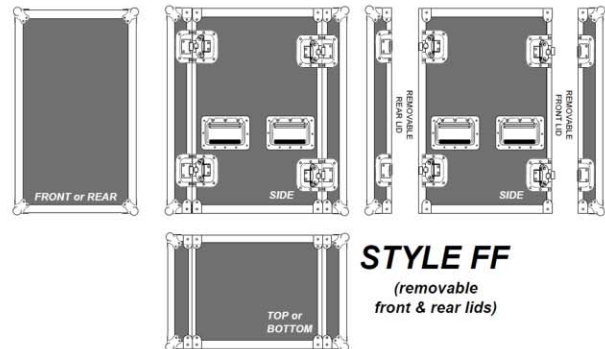


**STYLE E4**  
 (hinged shallow front lid)

Style FF cases have removable front & rear lids. Applications are heavier weight items or combinations of components that need front & rear loading and access.

For Additional data such as:  
 - Case Type  
 - Option Choices  
 - Interior Treatments  
 - Case Color

Please Consult STAR CASE  
 Contact Us Today!  
 (800)822-STAR (7827)



**STYLE FF**  
 (removable front & rear lids)

**CASE STYLE IS OF PARAMOUNT IMPORTANCE!!!**

At Star Case, we're on your side. We want you back. We want your referral. We'll recommend the right case style for your application - whether it's a hinged-lid style A case, a removable lift-off lid style B or style D, a front loading style E, or a case with a two-part 'clam-shell' style lid - you'll be happy every time - our product knowledge and experience allow us to make this claim!

*Star Case Mfg. Co., LLC- the leader in custom & Quick Ship cases and Racks since 1975 and exclusive source for "Professional Series" and "Designer Series" Electronic Racks, Rack Options & Accessories*