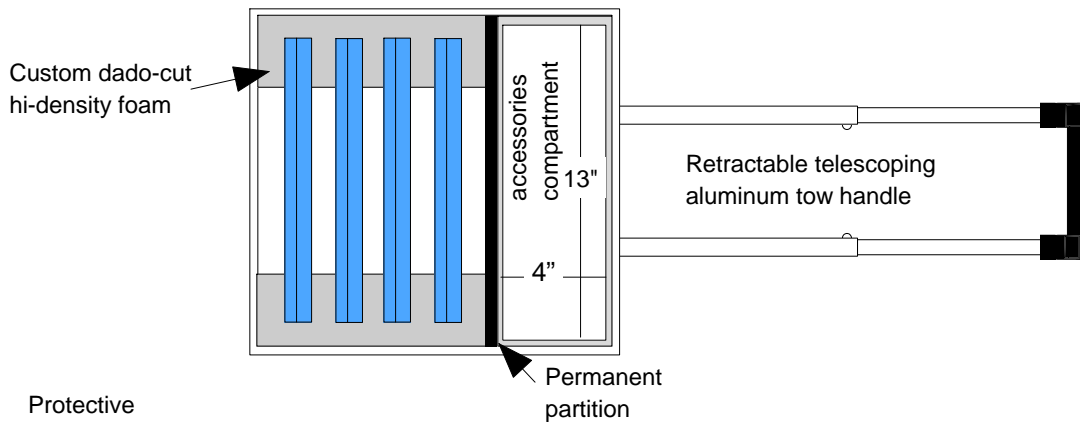


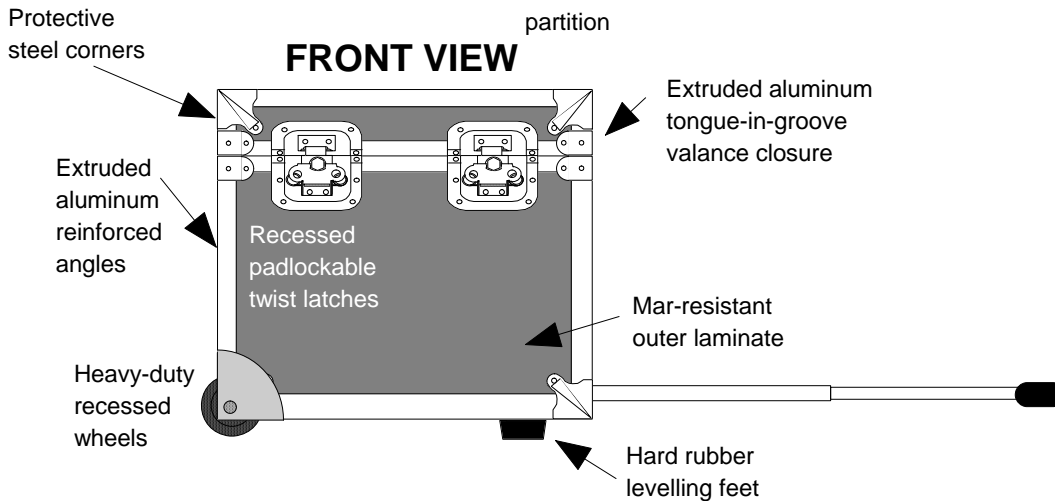
Features & Benefits on all Star Case Multiple Laptop/Tablet Cases



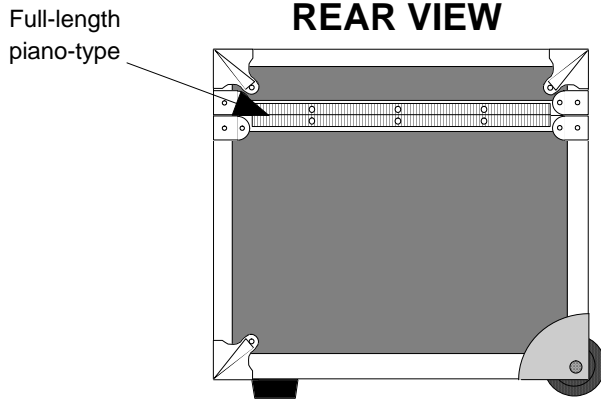
INTERIOR VIEW



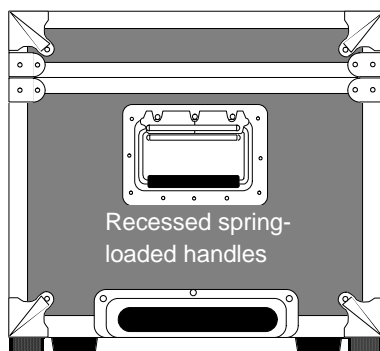
FRONT VIEW



REAR VIEW



SIDE VIEW



Features & Benefits:

- ★ **Protective steel corners** - to guard the most vulnerable parts of your case.
- ★ **Extruded aluminum angle** - for added 90 degree angle reinforcement and case structure integrity.
- ★ **Heavy-duty recessed wheels**-for ease of rolling and long life.
- ★ **Heavy-duty telescoping, aluminum recessed tow handle** - for user-friendly and comfortable case transport.
- ★ **Extruded aluminum tongue-in-groove valance closure** - for a secure & positive case closure that keeps negative elements away from your case contents.
- ★ **Mar-resistant outer laminate** - for long life and a clean & professional look.
- ★ **Recessed steel handles & latches** - designed for maximum security and ease of lifting & handling.
- ★ **Full length piano-type hinge** - for strength & greatly reduced likelihood of case lid separation from case lower section.
- ★ **Custom dado-cut laptop/tablet foam blocking** - ship any combination of devices because each device has its own slot.